

INSTALLATION INSTRUCTIONS

In-Ground Bury Fountain/Shower Adapter

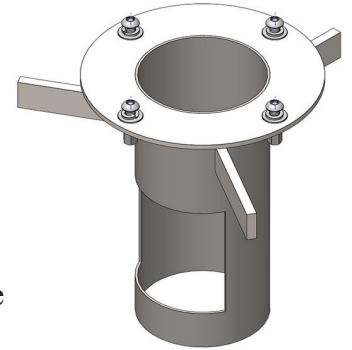


Modesl: IBA-6 or IBA-10

Thank you for selecting Stern-Williams. To ensure this product is installed properly, please read these instructions carefully before you begin. (Certain installations may require professional help.)

IMPORTANT: When installing Stern-Williams In-Ground Bury Adapter to outdoor drinking fountains and shower towers, observe local plumbing and building codes. All maintenance must be done by an authorized technician.

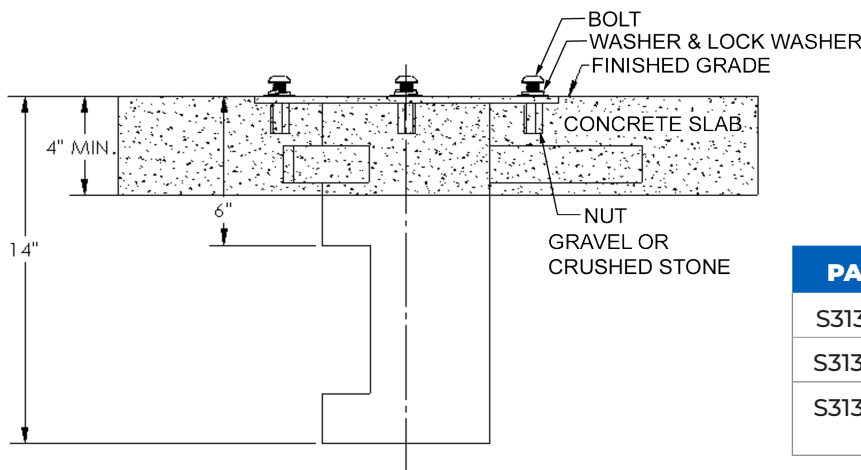
NOTE: Pictures may not exactly define contour of components.



INSTALLATION

1. Attach button head bolt to adapter
 - a. Place one 1/2" flat washer onto each of the four 1/2"-13 bolts.
 - b. Thread the bolts (part number S313-0003) with washers (S313-0001) into the adapter flange. This is done to protect the nuts from concrete and dirt.
2. Set the adapter in concrete
 - a. Secure the adapter in concrete slab per standard installation practices. See attached image for reference.
 - b. Before the concrete cures, make sure to wipe off any concrete that may be on top of the flange.
 - c. Verify the water supply line and drain line are inside the adapter and aligned with the fountain (shower towers will only have water supply line).
 - d. Make sure the bolts pattern matches the hole pattern in the fountain/shower tower. Flange such that it is oriented in the right drain.
3. Mount the fountain/shower
 - a. After the concrete has fully cured, remove the bolts and washers out of the adapter body.
 - b. Follow the fountain assembly instructions provided to complete the installation.
 - c. Use bolts, lock washers, and flat washers for secure mounting.

DIMENSIONS



PART #	DESCRIPTION	QTY.
S313-0001	1/2" Flat Washer, SS	4
S313-0002	1/2" Lock Washer, SS	4
S313-0003	1/2" -13 x 1/4" Button Head Hex Bolts, SS	4