

MODEL 9000, 9000-92, 9002 & 9004-MWL PET FOUNTAINS

Our line of pet fountains are great for resorts, parks, and walking trails where pets are welcome. The Model 9000, 9000-92, 9002, and 9004 pet fountains are designed to comply with pet needs and withstand the roughest conditions.

9000: Single pedestal pet fountain

9002: Dual height pedestal pet fountain

9004-MWL: Wall mounted pedestal pet fountain

9000-92: Pedestal pet fountain with spray head

9000-66-SS: Pedestal pet fountain with wash down station

FEATURES

- All steel heavy-duty construction with welded and ground joints for a clean and tidy appearance
- Stainless Steel (-SS) bodies available for harsh coastal environments.
- Vandal resistant access plates for security and simple future maintenance.
- Water pressure range of 30-80 PSI
- Optional mounting plates available for installation assistance
 - **SMP-6:** Surface mounting plate
 - **IBA-6:** In-ground mounting plate
- Recessed push button is manufactured from chrome plated brass for reliability and long wear life
- Simple flow adjustment without requiring the dismantling of the fountain with a water flow of 0.5 GPM
- Timer controlled pet sprayer with recessed vandal resistant spray head (9000-92 only)
- Model 9000-66-SS includes a wash down station with 60" hose and self closing hose bibb with leash hook. Stainless steel core is standard
- Fountain Bowl is heavy duty 18 gauge stainless steel with brushed finish and vandal-resistant chrome plated brass strainer. A drain tool is included with each fountain
- All flow paths are lead-free with reinforced stainless-steel tubing that complies with NSF/ANSI/CAN 61: Q≤1 (AB100) standards
- In-line mesh screen Y strainer
- ½" Inlet stop valve for simple future maintenance
- 1 ¼" IPS waste pipes included on each fountain
- Standard Woodland green finish with optional colors available



(Shown above) Model 9000

ORDERING OPTIONS

Part Number

9000-

Optional

- 32-RCP:** Compression type hose end and VB
- 32-SC:** Self closing hose bibb
- 32-VP:** Recessed Vandal proof compression valve
- 32LK-RCP:** Compression type hose end VB loose key
- 35:** Recessed compression type
- 35-VP:** Recessed compression type VB key operated
- 40:** Commemorative plaque
- 84:** Water Filter
- 98:** Leash hook
- SS:** Stainless steel body upgrade
- SMP-6:** Surface mounting plate
- IBA-6:** In-Ground Bury Adapter

9002-

Optional

- 32-RCP:** Compression type hose end and VB
- 32-SC:** Self closing hose bibb
- 32-VP:** Recessed Vandal proof compression valve
- 35:** Recessed compression type
- 35-VP:** Recessed compression type VB key operated
- 40:** Commemorative plaque
- 85:** Valve box
- 98:** Leash hook
- SS:** Stainless steel body upgrade

9004-MWL-

Optional

- 32-SC:** Self closing hose bibb
- 40:** Commemorative plaque
- 98:** Leash hook
- SS:** Stainless steel body upgrade

9000-66-SS-

Optional

- LVH:** Lever style hose bibb
- 40:** Commemorative plaque
- SMP-6:** Surface mounting plate
- IBA-6:** In-Ground Bury Adapter

9000-FP-

Optional

- 40:** Commemorative plaque
- 98:** Leash hook
- IBA-6:** In-Ground Bury Adapter

9002-FP-

Optional

- 40:** Commemorative plaque
- 85:** Valve box
- 98:** Leash hook
- IBA-6:** In-Ground Bury Adapter

9000-92-

Optional

- LVH:** Lever style hose bibb
- 40:** Commemorative plaque
- SMP-6:** Surface mounting plate
- IBA-6:** In-Ground Bury Adapter

*A maximum of 3 options may be added to a fountain.

DIMENSIONS

These rough-in dimensions may vary 1/2" (13 mm) plus or minus

9000 32"H x 19-1/8"W x 6-5/8"Dia.

9000-66-SS 32"H x 19-1/8"W x 6-5/8"Dia.

9002 32"H x 31-5/8"W x 6-5/8" Dia.

9004-MWL 32"H x 15-5/16"W x 6-5/8"Dia.

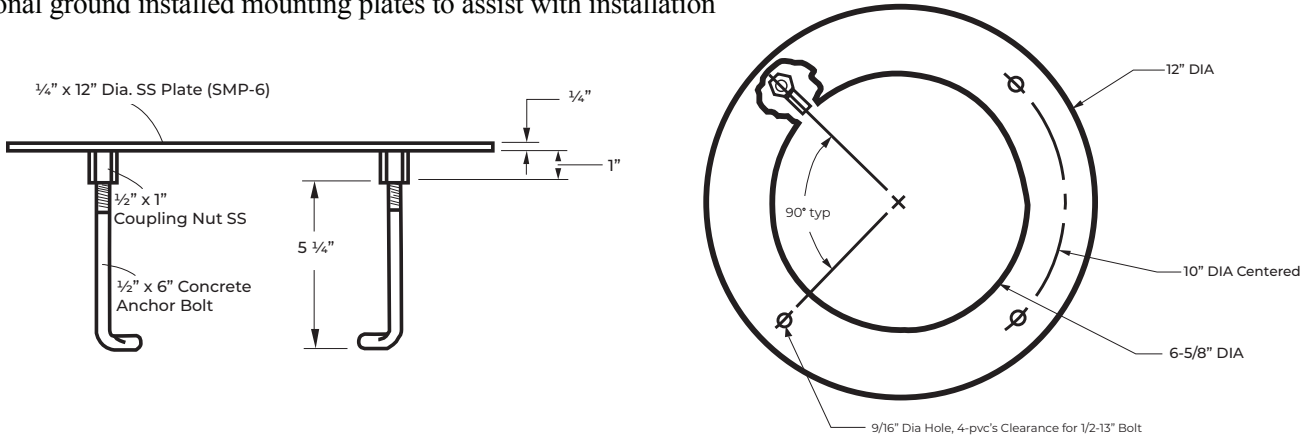
9000-92 54"H x 19-1/8"W x 6-5/8"Dia.

SPEC

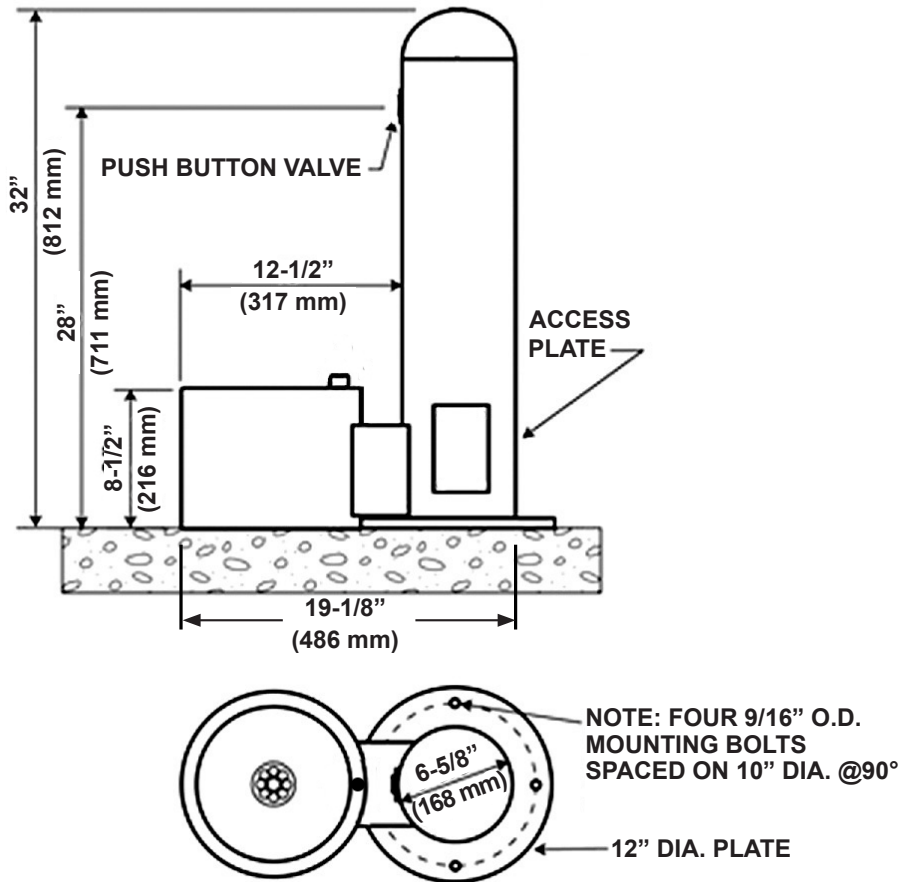
Furnish and install Stern-Williams pet fountains (specify model # and options). Pet fountains shall be carbon steel or 304 stainless steel and a powder coated finish. Pet fountain shall have chrome plated brass bubblers. Water pressure range shall be 30-80 PSI. Pet fountains shall provide simple flow adjustment without requiring dismantling of fountain with a water flow of 0.5 GPM. Welded anchor base shall be 1/2" thick. Joints must be welded and ground smooth. Push buttons shall require less than 5 lbs of force in compliance with ADA code. Fountains shall be installed per manufacturers recommendations and instructions. Pet fountain flow paths are leadfree with reinforced stainless-steel tubing that complies with NSF/ANSI/CAN 61: Q≤1 (AB100) standards. Made in the USA.

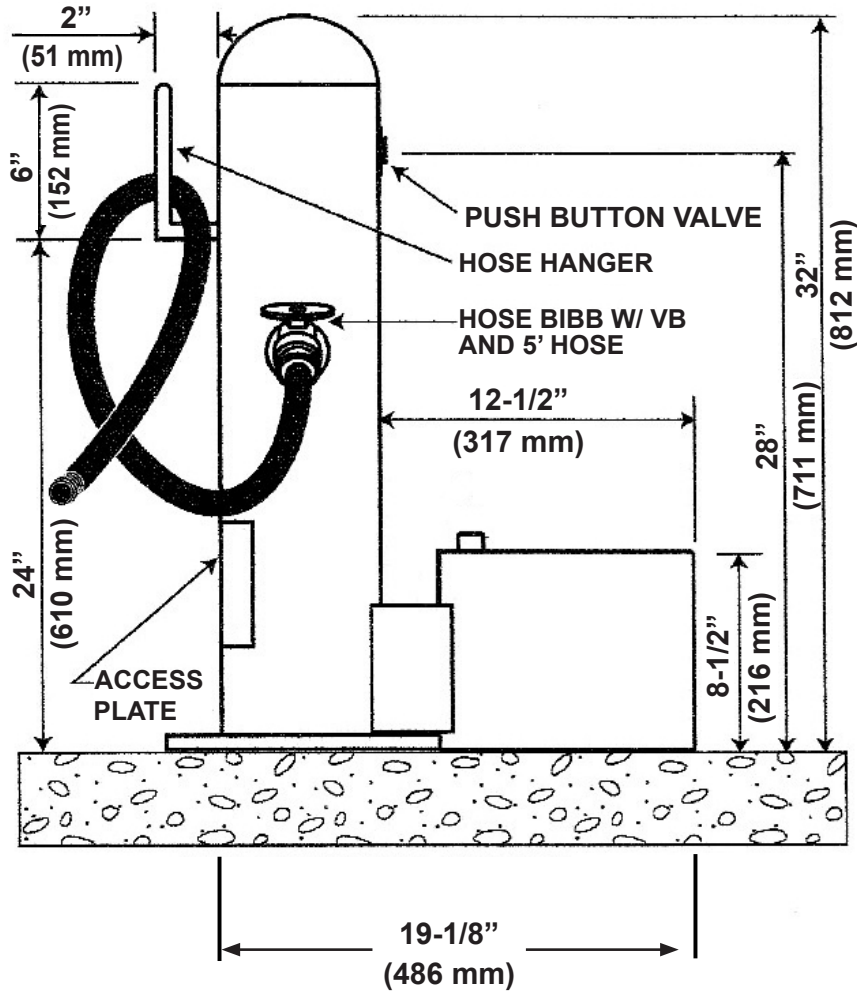
SMP-6

Optional ground installed mounting plates to assist with installation

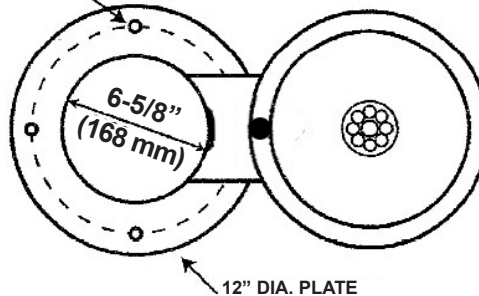


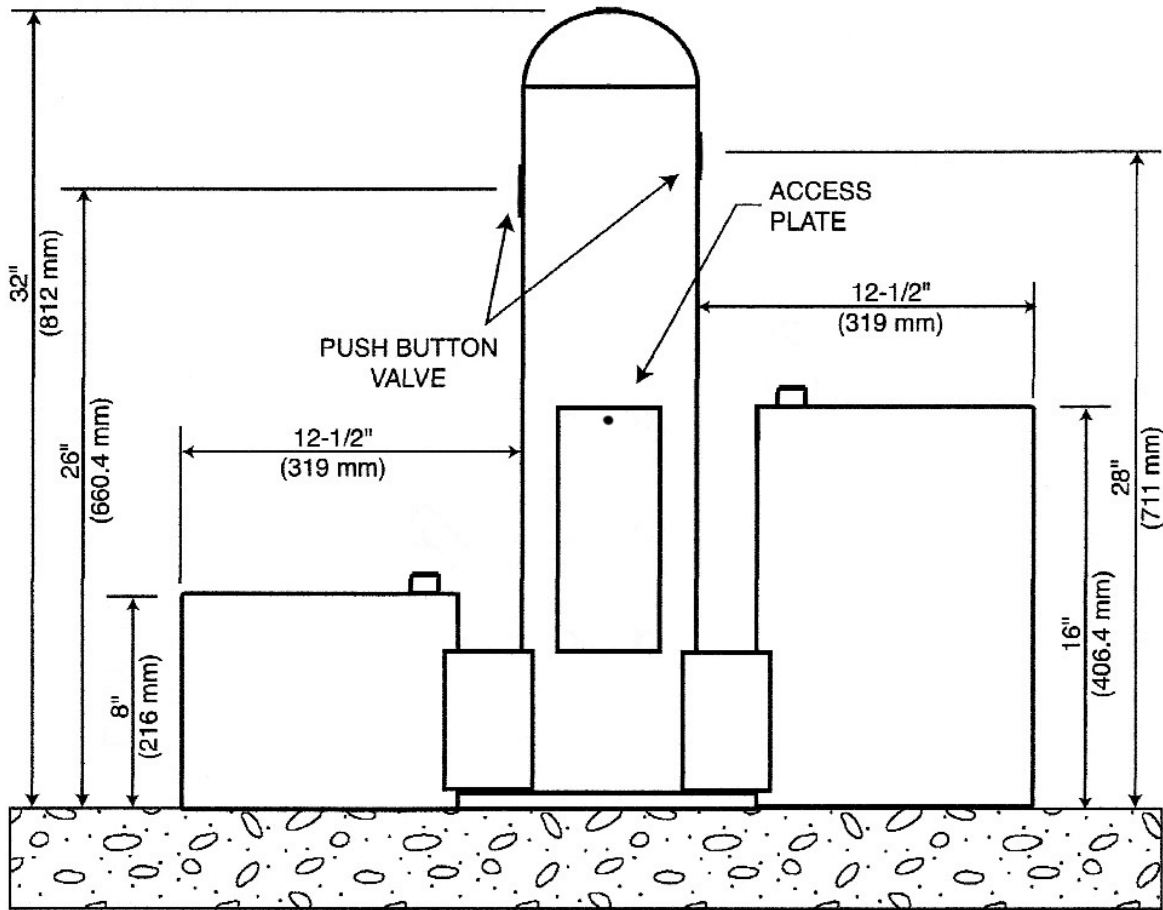
9000



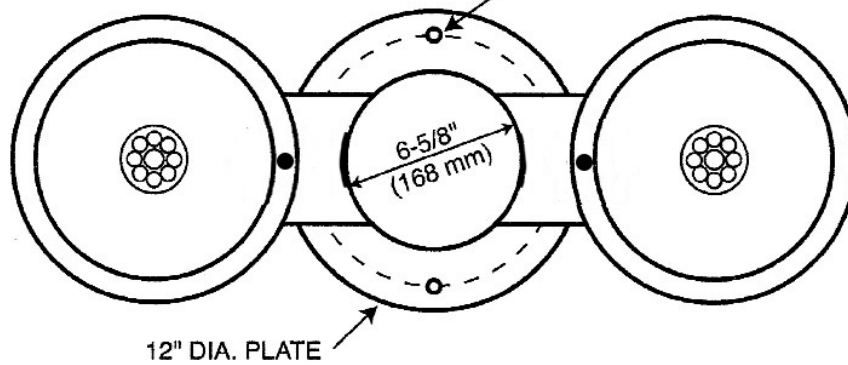


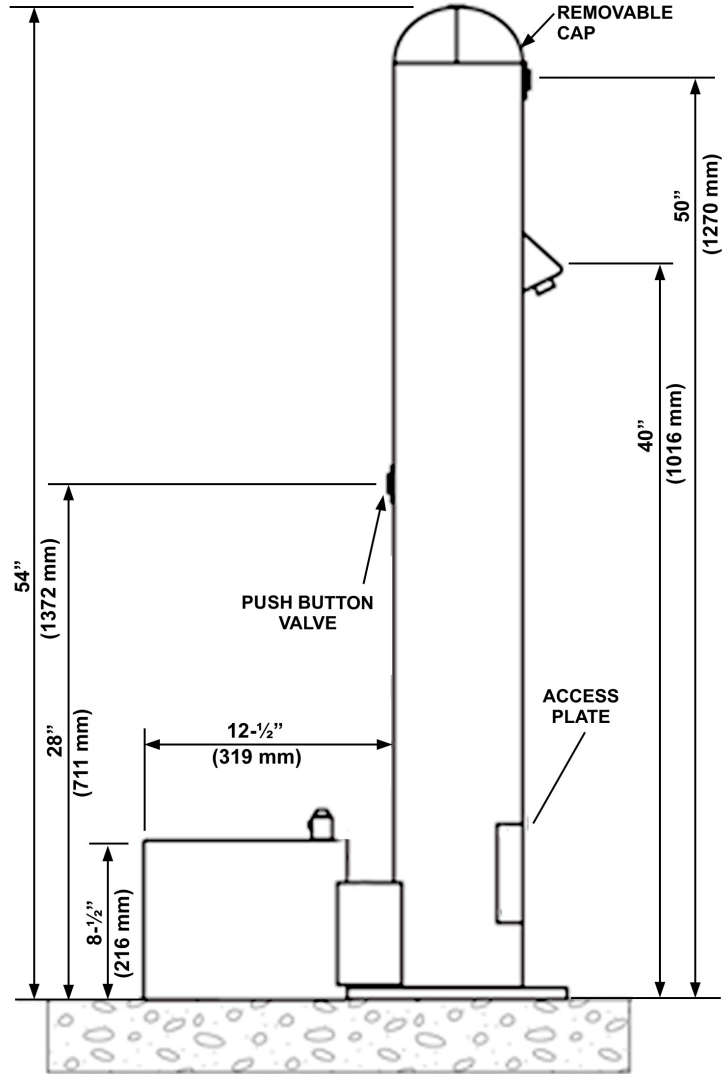
NOTE: FOUR 9/16" O.D. MOUNTING BOLTS SPACED ON 10" DIA. @90°



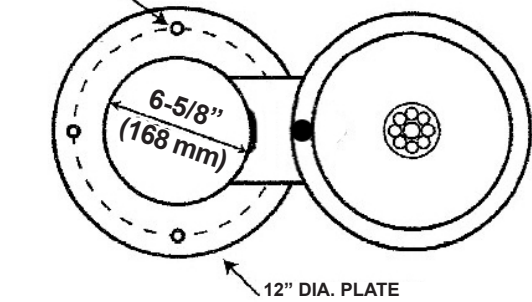


NOTE: FOUR 9/16" O.D. MOUNTING BOLTS SPACED ON 10" DIA. @ 90°

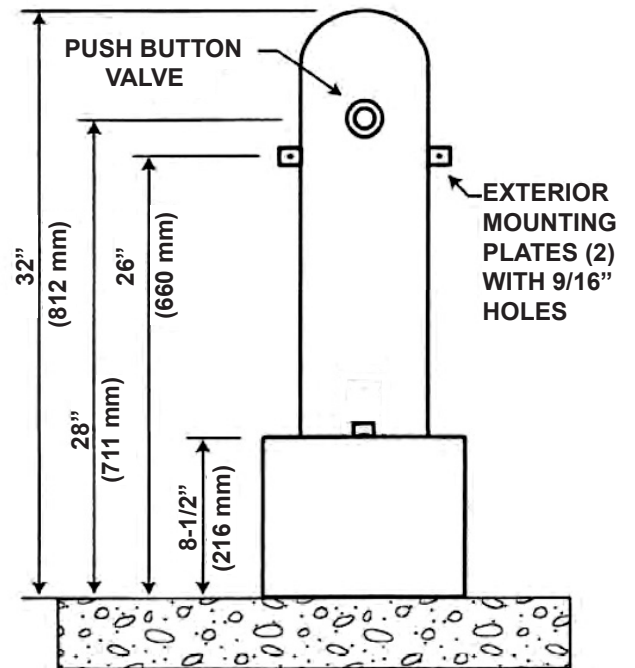
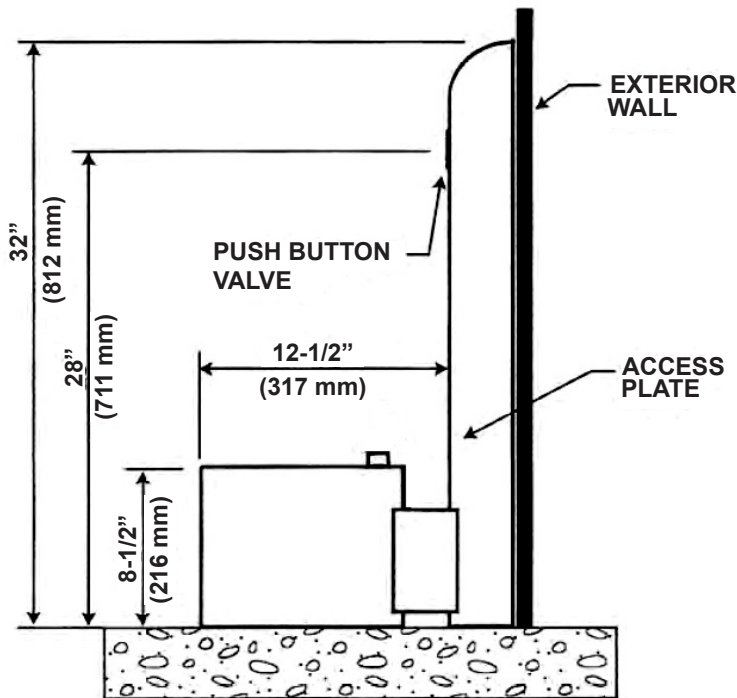




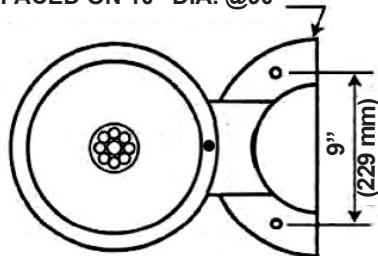
NOTE: FOUR 9/16" O.D. MOUNTING BOLTS SPACED ON 10" DIA. @90°



9004-MWL

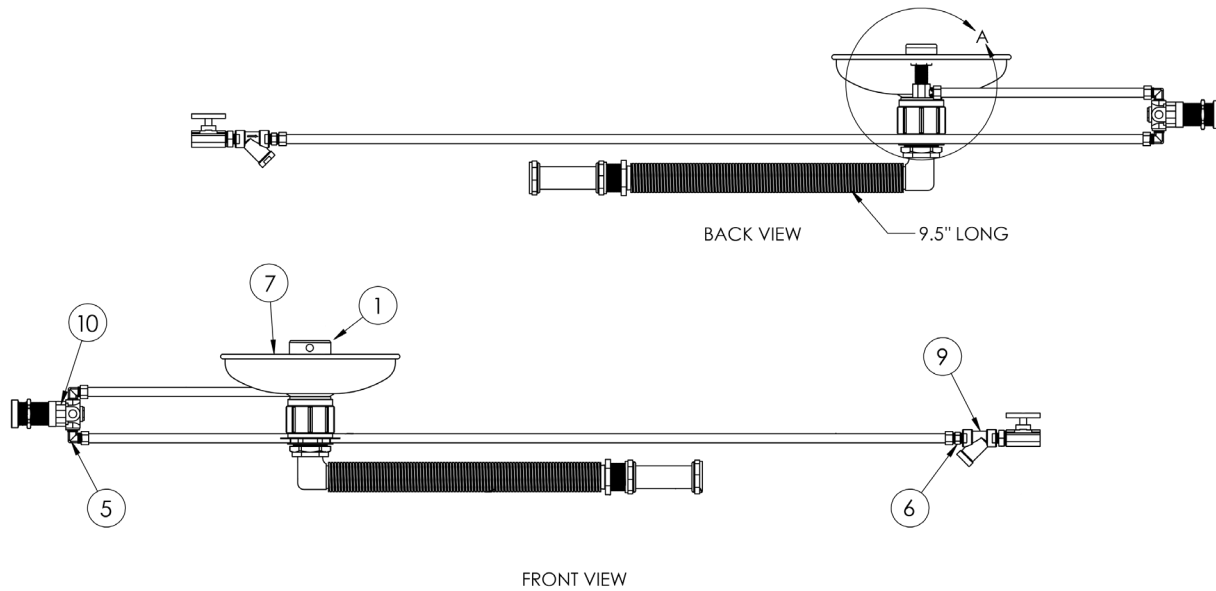
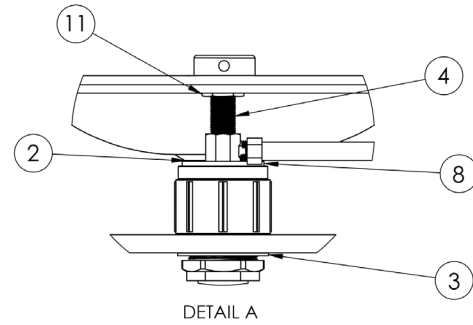


NOTE: FOUR 9/16" O.D. MOUNTING BOLTS SPACED ON 10" DIA. @90°



9000 PLUMBING ASSEMBLY

ID	PART #	DESCRIPTION	QTY.
1	S299-0002	K-9 BUBBLER	1
2	S231-0260	CP THEFT PROOF DRAIN	1
3	S302-0001	LOCKNUT 1-1/2", STEEL	1
4	S310-0012	NIPPLE, 3/8" X 2" LF BRASS	1
5	S320-0010	ELBOW, LF BRASS, 90 ELBOW 1/4" NPT 1-1/4"	2
6	S320-0012	1/4" MIP X 3/8" COMP ADAPTER, LF BRASS	1
7	S323-0057	SS DR FOUNTAIN BOWL	1
8	S336-0001	GASKET FOR BOWLS (1-1/2", W708), EPDM	1
9	S337-0041	Y STRAINER 1/4"	1
10	S399-0002	1/4" FLUID PRESSURE REGULATOR	1
11	S920-0001	LOCKNUT, 3/8", BRASS	1



RETIRED PLUMBING ASSEMBLY

ID	PART #	DESCRIPTION	QTY.
1	S302-0004	K-9 BUBBLER	1
7	S323-0001	SS DR FOUNTAIN BOWL	1

