

INSTALLATION INSTRUCTIONS

T-40-SF Stainless Steel Shelf



Thank you for selecting Stern-Williams. To ensure this product is installed properly, please read these instructions carefully before you begin. *(Certain installations may require professional help.)*

IMPORTANT: When installing Model No. T-40-SF Stainless Steel Shelf, observe local plumbing and building codes.

NOTE: Pictures may not exactly represent purchased product.

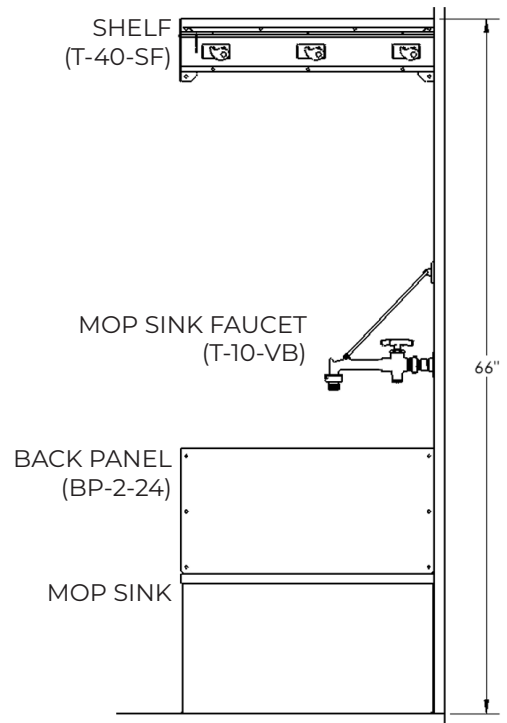
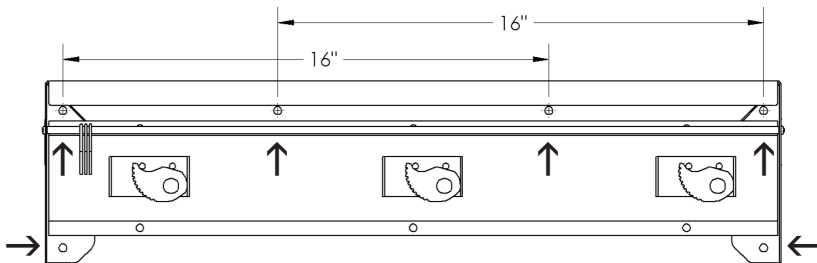
PREPARATION

- Refer to “Rough-In” dimensions and determine where the Stern-Williams’ shelf will be installed.
- Note the hole locations using recommended measurements shown in drawings below.

INSTALLATION

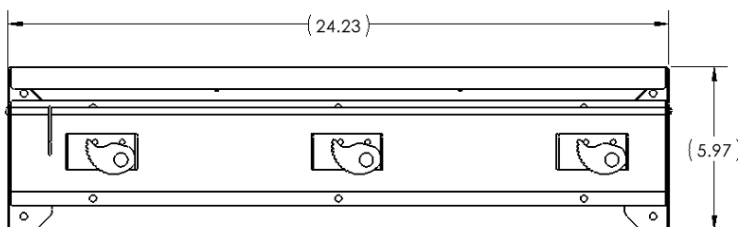
1. Hold the shelf level and flush with the wall, mark hole locations, and pre-drill holes.
2. Use the provided mounting hardware to securely attach the shelf to the wall. *(Weight Capacity - 200 lbs.)*

Note: Make use of the 16” center locations to secure to a stud for maximum strength. To ensure proper stability, use all holes (6 total-marked with ↑).

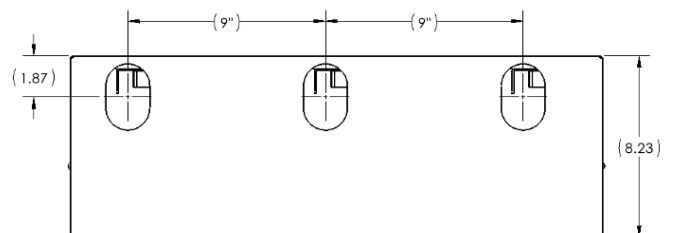


ROUGH-IN-DIMENSIONS

- Recommended to mount top of shelf 5-1/2 feet (66 inches) above the finished floor to ensure ease of access when using mop hangers.



FRONT VIEW



TOP VIEW