

MODEL 7700 PEDESTAL BOTTLE FILLER AND DRINKING FOUNTAIN

Fill your bottle with a recessed push-button and flow adjustment. The Model 7700 comes with a drinking fountain, bottle filler and has the option to add on a pet fountain.

FEATURES

- All steel heavy-duty construction with welded and ground joints for a clean and tidy appearance
- Stainless Steel (-SS) bodies available for harsh coastal environments
- Vandal resistant access plates for security and simple future maintenance
- Vandal resistant fabricated bubbler guard unique to Stern Williams Fountains assures years of service
- Water pressure range of 30-80 PSI
- Optional mounting plates available for installation assistance.
 - **SMP-10:** Surface mounting plate.
 - **IBA-10:** In-ground mounting plate.
- Recessed push button is manufactured from chrome plated brass for reliability and long wear life with a water flow of 0.5 GPM
- Simple flow adjustment without requiring the dismantling of the fountain
- Fountain bowl is heavy duty 18 gauge stainless steel with brushed finish and vandal-resistant chrome plated brass strainer. A drain tool is included with each fountain
- All flow paths are lead-free with reinforced stainless-steel tubing that complies with NSF/ANSI/CAN 61: Q≤1 (AB100) standards
- In-line mesh screen Y strainer
- Replaceable in-line water filter (S231-0251) is included and meets NSF standards
- ½" Inlet stop valve for simple future maintenance
- 1 ¼" IPS waste pipes included on each fountain
- Standard Woodland Green finish with optional colors available



(Shown above) Model 7700

ORDERING OPTIONS

Part Number

7700-



Optional

- 31-RCP:** Self Closing Plain End
- 32-RCP:** Compression type hose end and VB
- 32LK-RCP:** Compression type hose end VB loose key
- 32-SC:** Self-closing, hose end and vacuum breaker
- 32-VP:** Vandalproof Compression Valve
- 35:** Recessed compression-type, hose end and VB
- 35-VP:** Above with key-operated cover
- 36:** Push Button Jug Filler
- 37:** Foot spray
- 38:** Shutdown Drain Valve
- 40:** Commemorative plaque
- 82:** Hand Wash Station
- 84:** Water filter
- 85:** Ground valve box w/ lid
- 86:** Attached metal valve box
- 87:** Surface Valve Box w/Cover Plate
- 90:** Pet Fountain
- 95:** Sand trap
- 96:** Sand strainer plate
- 100:** Solar Light
- SS:** Stainless steel upgrade
- SMP-10:** Surface Mounting Plate
- IBA-10:** In-Ground Bury Adapter

Part Number

7700-FP-



Optional

- 34:** Frostproof jug filler
- 38:** Shutdown Drain Valve
- 40:** Commemorative plaque
- 85:** Ground valve box w/ lid
- 86:** Attached metal valve box
- 87:** Surface Valve Box w/Cover Plate
- 90-FP:** Pet Fountain
- 95:** Sand trap
- 96:** Sand strainer plate
- RV:** Reverse Heights
- SS:** Stainless steel upgrade
- SMP-10:** Surface Mounting Plate
- IBA-10:** In-Ground Bury Adapter

DIMENSIONS

All dimensions subject to manufacturing variance of plus or minus 1/4" (6 mm)

7700 60"H x 10-3/4"W x 30-3/4"L / Surface Mount

7700-90 60"H x 23-1/4"W x 30-3/4"L / Surface Mount with Pet Fountain

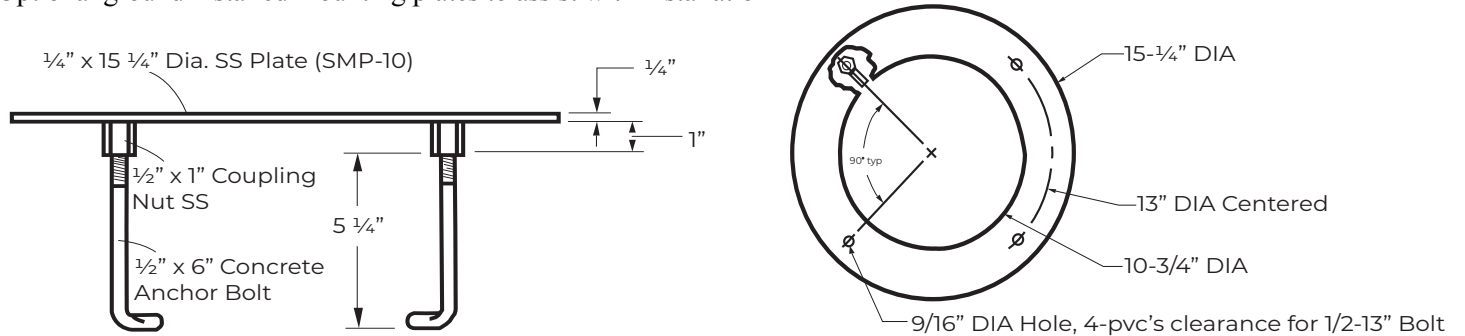
7700-FP 60"H x 23-1/4"W x 30-3/4"L / Frost Proof

SPEC

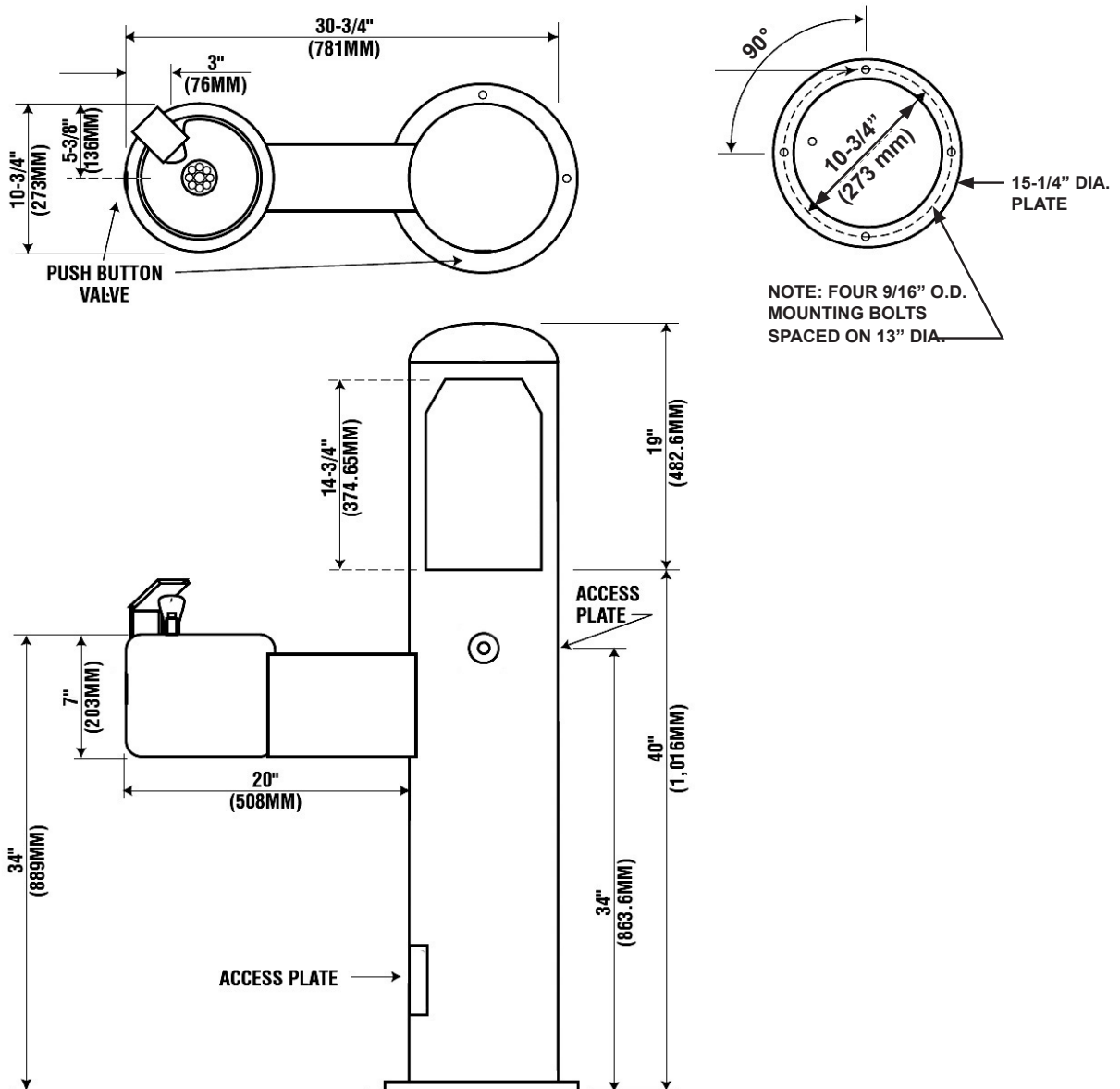
Furnish and install Stern-Williams Pedestal Bottle Filler and Drinking Fountain (specify model # and options). Drinking fountain and bottle filler shall be carbon steel or 304 stainless steel and a powder coated finish. Fountain shall have chrome plated brass bubblers with vandal resistant bubbler guard. Water pressure range shall be 30-80 PSI. Fountains shall provide for simple flow adjustment without requiring dismantling of fountain with a water flow of 0.5 GPM. Welded anchor base shall be 1/2" thick. Joints must be welded and ground smooth. Push buttons shall require less than 5 lbs of force in compliance with ADA code. Fountains shall be installed per manufacturers recommendations and instructions. Drinking fountain flow paths are lead-free with reinforced stainless-steel tubing that complies with NSF/ANSI/CAN 61: Q≤1 (AB100) standards. Made in the USA.

SMP-10

Optional ground installed mounting plates to assist with installation



7700



7700-90

