

## IBA-6 & IBA-10 In-Ground Bury Adapter

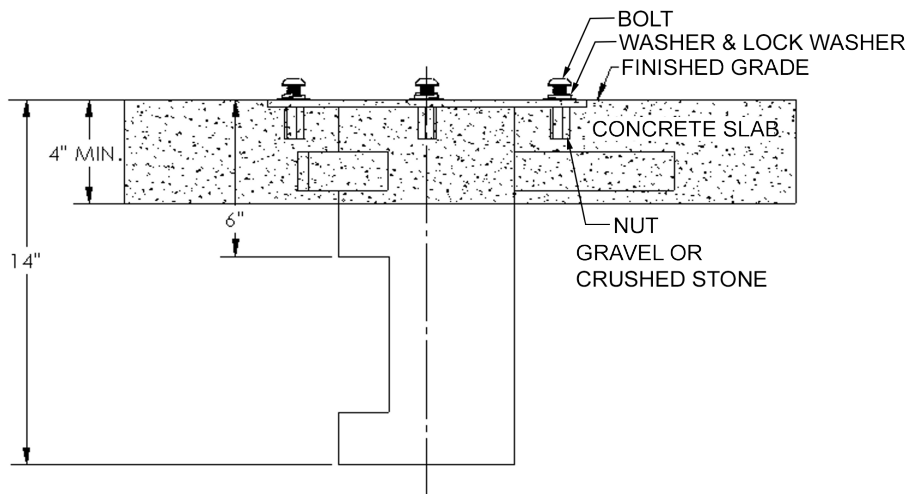
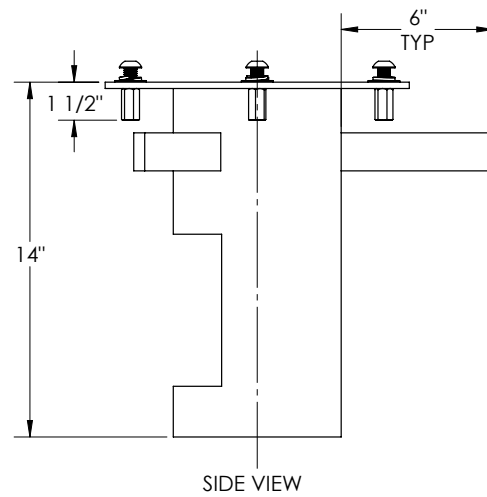
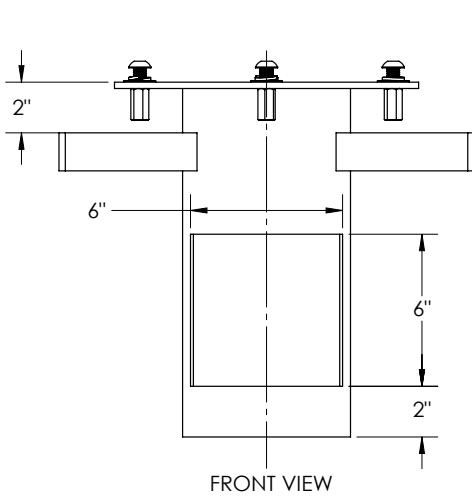
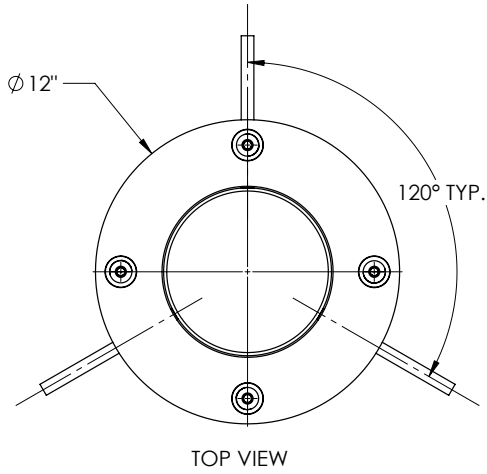
The In-Ground Bury Adapter is designed to simplify installation and maintenance. With its stainless steel construction and ability to be set before the fountain arrives, this adapter delivers lasting durability, effortless winterization, and the flexibility to relocate if needed—all while keeping your installation secure and worry-free.



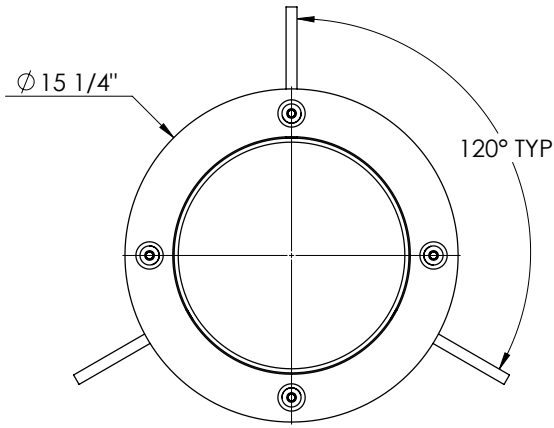
### FEATURES

- Allows for water line & drain access below the cement foundation
- Long-Lasting Durability – Stainless steel construction resists corrosion from concrete and harsh outdoor elements
- Fountain or shower can be removed and reinstalled effortlessly if site needs change
- Faster Installation – Adapter can be set in the cement foundation ahead of time, saving time on arrival day
- Bolts and washers included for mounting unit
- Simplified Maintenance – Streamlined design makes winterization and upkeep quick and hassle-free
- Provides a stronger, more secure mount for long-term performance

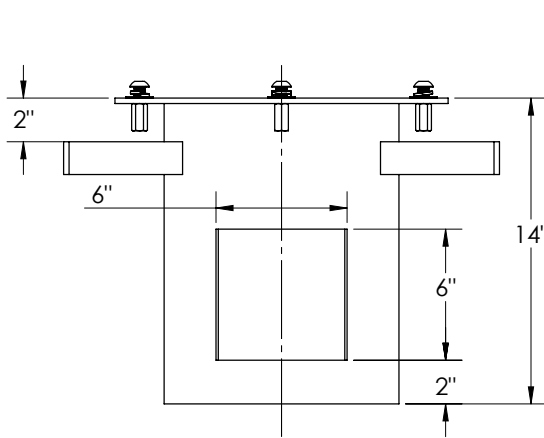
## IBA-6 DIMENSIONS



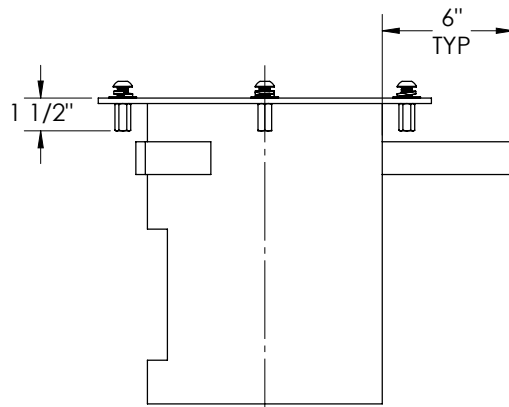
**IBA-10 DIMENSIONS**



TOP VIEW



FRONT VIEW



SIDE VIEW

