



## MODEL HSC-400 40" x 40" COMPLETE SHOWER CABINET - WHEELCHAIR ACCESSIBLE

This model is designed with accessibility and functionality in mind. We recommend installing a floor drain at the unit entrance.

### FEATURES

- Includes a roll-in type Terrazzo shower floor
- Includes the SC-140-SS pressure-balanced mixing valve, which includes integrated service stops for maintenance ease
- Hand-held shower head with a swivel connection
- 69" flexible chrome-plated brass hose, and an in-line vacuum breaker
- Stainless steel curtain rod and GSA-approved privacy curtain are provided
- Horizontal and vertical stainless steel grab bars with concealed mounting.
- Terrazzo floor has 2" threshold and will require recess in floor for ADA accessibility
- Standard wall finish is white powder coated metal.
- Retractable handicapped shower seat with stainless steel frame
- Specify R or L hand drilling



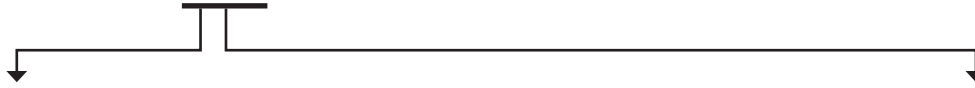
(Shown above) Model HSC-400

## ORDERING OPTIONS

---

Part Number

**HSC-XX-**



**Package Options:**

- HSC-400:** Complete Shower Package - Roll-In
- HSC-400-B:** Shower Base only
- HSC-400-SPC:** Complete Shower Package Roll-In, Solid Phenolic Core Walls
- HSC-400-SS:** Complete Shower Package Roll-In, Stainless Steel Walls
- HSC-400-SS-NV:** Complete Shower Package Roll-In, Stainless Steel Walls, No Valve

**Optional Components:**

- SC-6:** Filler strip - Front
- SC-7:** Filler strip - Back
- HSC-TC-143:** Top cover only
- HSC-TCLF-400:** Top cover with Light
- SC-140-TCVH:** Thermostatic valve
- Valve By Others**

**OPTIONAL WALL FINISHES**

**Powder Coat on Galvanized Steel** (standard)

**SS:** Stainless steel

**SPC:** Solid phenolic core \*

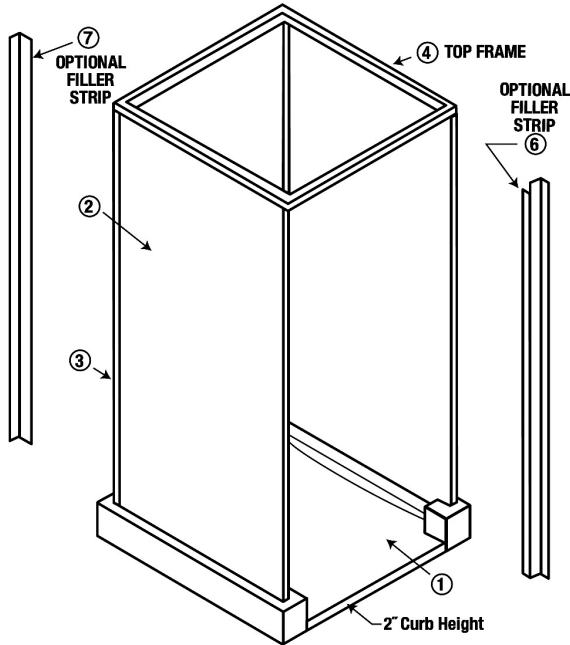
**HDP:** High density polymer\*

## DIMENSIONS

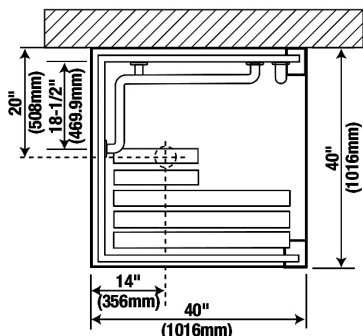
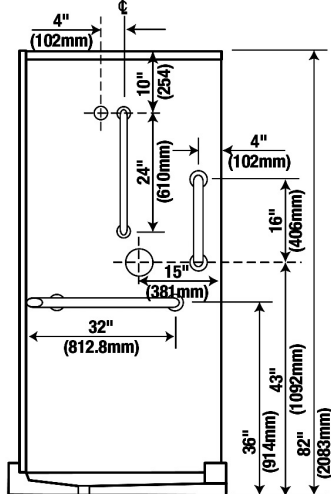
---

All dimensions subject to manufacturing variance of plus or minus 1/4" (6 mm)

**HSC-400** 40x40x82"

**HSC-400**

**STANDARD EQUIPMENT FOR FIELD INSTALLATION**

KEY NO.	QTY.	DESCRIPTION
1	1	40" X 40" BASE
2	3	36-9/16" X 77-3/16" PANEL
3	2	CORNER JOINT
4	1	TOP FRAME
—	1	ROD AND CURTAIN
—	1	PRESSURE BALANCED VALVE WITH STOPS
—	1	HAND HELD SHOWER HEAD WITH SWIVEL CONNECTOR, SUPPLY ELL, VACUUM BREAKER AND 69" C.P. FLEXIBLE BRASS HOSE
—	1	24" C.P. BRASS SLIDE BAR WITH ADJUSTABLE SHOWER HEAD MOUNTING BRACKET AND MOUNTING SCREWS.
—	1	HORIZONTAL WRAP AROUND STAINLESS STEEL GRAB BAR
—	1	VERTICAL STAINLESS STEEL GRAB BAR
—	1	RETRACTABLE HANDICAPPED SHOWER SEAT WITH STAINLESS STEEL FRAME


**FOR CORRECT INSTALLATION:**

1. ESTABLISH PROPER CLEARANCE BETWEEN SHOWER BASE AND WALLS.
2. SET SHOWER BASE ON MORTAR BED AND CAREFULLY LEVEL TO AVOID PROBLEMS OF UNEVEN SUB FLOOR.

**WE SUGGEST A FLOOR DRAIN AT THE ENTRANCE TO THE WHEELCHAIR SHOWER FLOOR**
**NOTE:**

1. For Barrier-Free installation Contractor shall provide recess for curb.