

## MODEL HSC-460 65" x 39" COMPLETE SHOWER CABINET - WHEELCHAIR ACCESSIBLE

This model is designed with accessibility and functionality in mind. We recommend installing a floor drain at the unit entrance.

### FEATURES

- Includes a roll-in type Terrazzo shower floor
- Includes the SC-140-SS pressure-balanced mixing valve, which includes integrated service stops for maintenance ease
- Hand-held shower head with a swivel connection
- 69" flexible chrome-plated brass hose, and an in-line vacuum breaker
- Stainless steel curtain rod and GSA-approved privacy curtain are provided
- Horizontal and vertical stainless steel grab bars with concealed mounting.
- Terrazzo floor has 2" threshold and will require recess in floor for ADA accessibility
- Standard wall finish is white powder coated metal.
- Retractable handicapped shower seat with stainless steel frame
- Specify R or L hand drilling

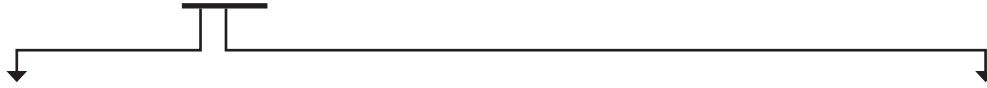


(Shown above) Model HSC-430

## ORDERING OPTIONS

Part Number

**HSC-XX-**



### Package Options:

- HSC-460:** Complete Shower Package - Roll-In
- HSC-460-B:** Shower Base only
- HSC-460-HDP-NV:** Complete Shower Package Roll-In, High Density Walls, Less Valve
- HSC-460-NV-LS:** Complete Shower Package Roll-In, Less Valve, Left Seat
- HSC-460-SPC:** Complete Shower Package Roll-In, Solid Phenolic Core Walls
- HSC-460-WLS:** Wall Package, White Powder Coat
- HSC-460-WLS-HDP:** Wall Package, High Density Polymer (White)
- HSC-460-WLS-HDP-1:** Left Wall Panel, High Density Polymer (White)
- HSC-460-WLS-SPC:** Wall Package, Solid Phenolic Core
- HSC-460-WLS-SS:** Wall Package, Stainless Steel

### Optional Components:

- SC-6:** Filler strip - Front
- SC-7:** Filler strip - Back
- HSC-TC-143:** Top cover only
- HSC-TCLF-400:** Top cover with Light
- SC-140-TCVH:** Thermostatic valve
- Valve By Others**

### FINISHES KEY FOR WALL PACKAGES (-WLS):

**Powder Coat on Galvanized Steel** (standard)

**SS:** Stainless steel

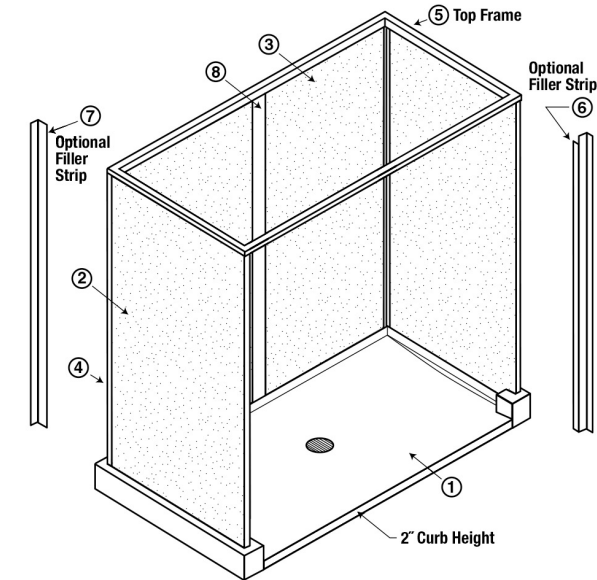
**SPC:** Solid phenolic core \*

**HDP:** High density polymer\*

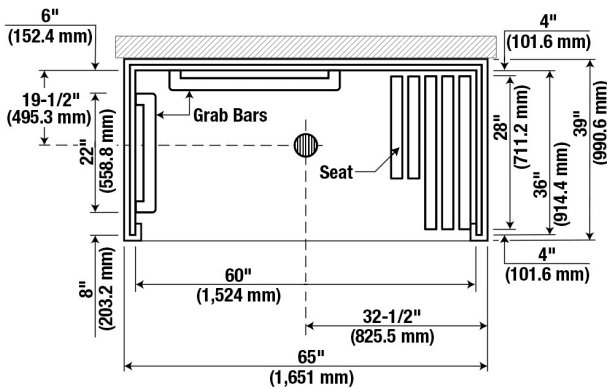
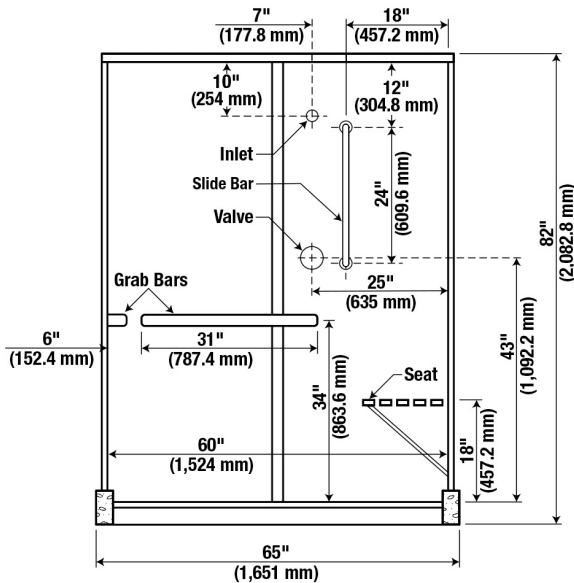
## DIMENSIONS

All dimensions subject to manufacturing variance of plus or minus 1/4" (6 mm)

**HSC-460** 65x39x82"


**STANDARD EQUIPMENT FOR FIELD INSTALLATION**

<b>KEY</b>		
<b>NO.</b>	<b>QTY.</b>	<b>DESCRIPTION</b>
1	1	65" X 39" BASE
2	2	36" X 77-3/16" PANEL
3	1	60" X 77-3/16" BACK PANEL
4	2	CORNER JOINT
5	1	TOP FRAME
—	1	ROD AND CURTAIN
—	1	PRESSURE BALANCED VALVE WITH STOPS
—	1	HAND HELD SHOWER HEAD WITH SWIVEL CONNECTOR, SUPPLY ELL, VACUUM BREAKER AND 69" C.P. FLEXIBLE BRASS HOSE
—	1	24" C.P. BRASS SLIDE BAR WITH ADJUSTABLE SHOWER HEAD MOUNTING BRACKET AND MOUNTING SCREWS.
—	2	HORIZONTAL STAINLESS STEEL GRAB BAR
8	1	CHANNEL BRACKET
—	1	RETRACTABLE HANDICAPPED SHOWER SEAT WITH STAINLESS STEEL FRAME


**FOR CORRECT INSTALLATION:**

1. ESTABLISH PROPER CLEARANCE BETWEEN SHOWER BASE AND WALLS.
2. SET SHOWER BASE ON MORTAR BED AND CAREFULLY LEVEL TO AVOID PROBLEMS OF UNEVEN SUB FLOOR.

**WE SUGGEST A FLOOR DRAIN AT THE ENTRANCE TO THE WHEELCHAIR SHOWER FLOOR**
**NOTE:**

1. For Barrier-Free installation Contractor shall provide recess for curb.