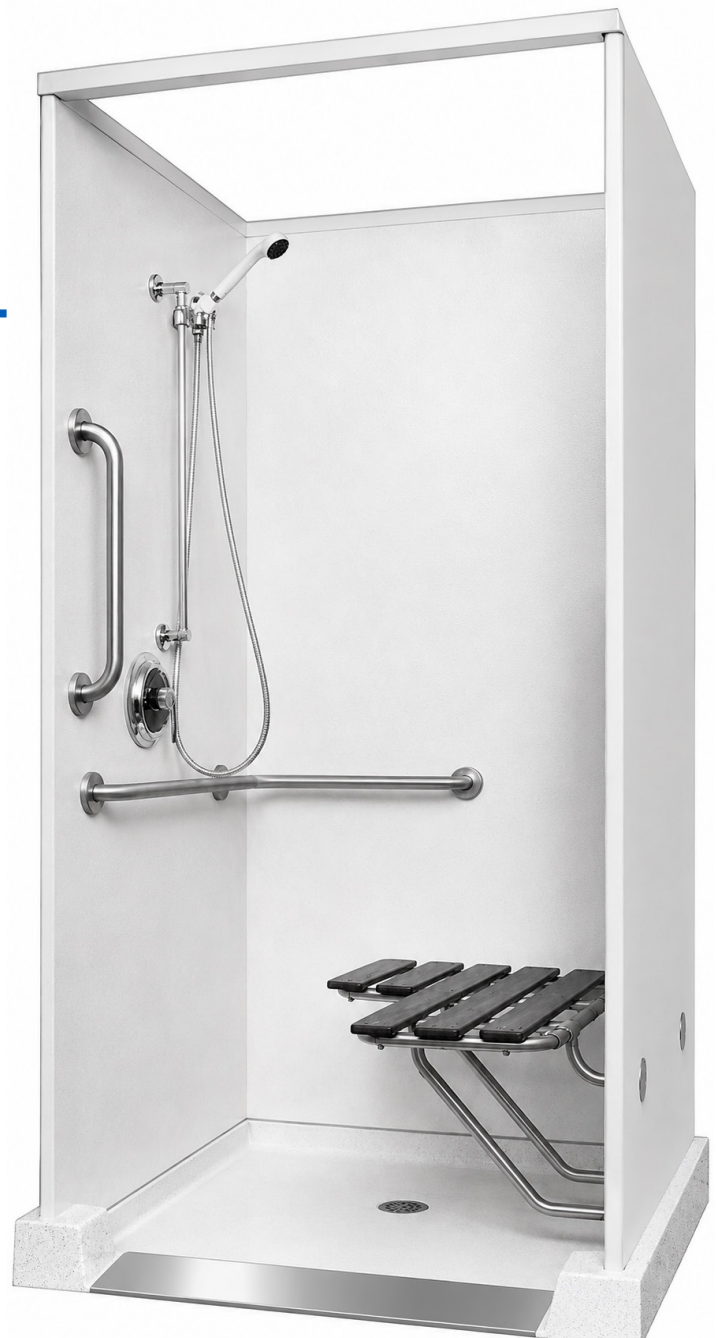


## MODEL HSC-143 40" x 48" COMPLETE SHOWER CABINET - WHEELCHAIR ACCESSIBLE

This model is designed with accessibility and functionality in mind. Threshold includes a 6" stainless steel entry cap and provides ½" entry on integral ramp when installed per specification guidelines. We recommend installing a floor drain at the unit entrance.

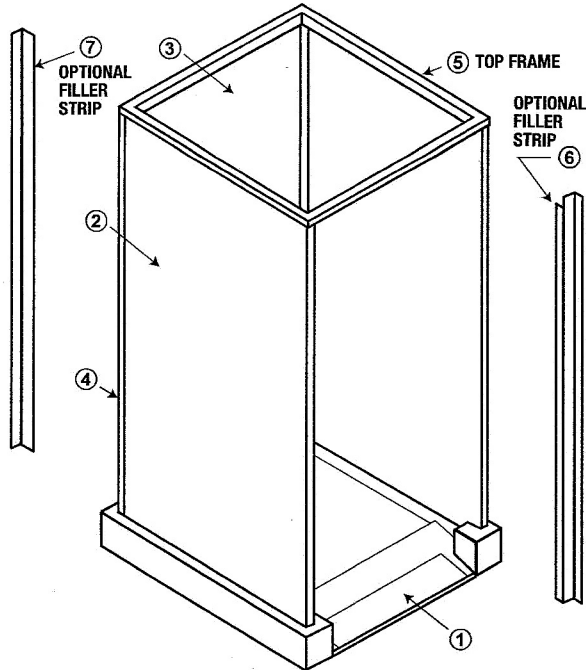
### FEATURES

- Specify R or L hand drilling
- Durable, white powder-coated metal panels
- Includes the SC-140-SS pressure-balanced mixing valve, which includes integrated service stops for maintenance ease
- Hand-held shower head with a swivel connection
- 69" flexible chrome-plated brass hose, and an in-line vacuum breaker
- Stainless steel curtain rod and GSA-approved privacy curtain are provided
- Retractable shower seat with a robust stainless steel frame
- Two stainless steel grab bars for reliable support

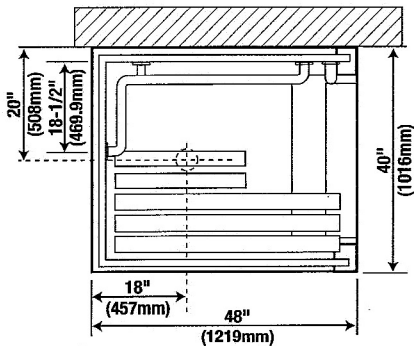
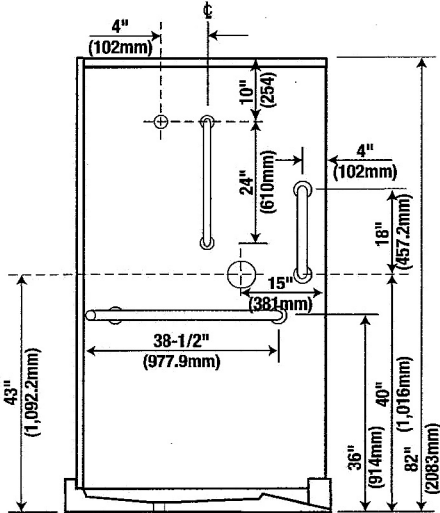


(Shown above) Model HSC-145

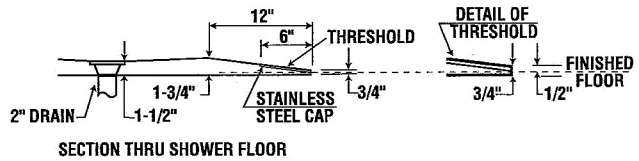


**HSC-145**

**STANDARD EQUIPMENT FOR FIELD INSTALLATION**

KEY		
NO.	QTY.	DESCRIPTION
1	1	40" X 48" BASE
2	2	44-9/16" X 77-3/16" PANEL
3	1	35-5/8" X 77-3/16" BACK PANEL
4	2	CORNER JOINT
5	1	TOP FRAME
—	1	ROD AND CURTAIN
—	1	PRESSURE BALANCED VALVE WITH STOPS
—	1	HAND HELD SHOWER HEAD WITH SWIVEL CONNECTOR, SUPPLY ELL, VACUUM BREAKER AND 69" C.P. FLEXIBLE BRASS HOSE
—	1	24" C.P. BRASS SLIDE BAR WITH ADJUSTABLE SHOWER HEAD MOUNTING BRACKET AND MOUNTING SCREWS.
—	1	HORIZONTAL WRAP AROUND STAINLESS STEEL GRAB BAR
—	1	VERTICAL STAINLESS STEEL GRAB BAR
—	1	RETRACTABLE HANDICAPPED SHOWER SEAT WITH STAINLESS STEEL FRAME


**FOR CORRECT INSTALLATION:**

1. ESTABLISH PROPER CLEARANCE BETWEEN SHOWER BASE AND WALLS.
2. SET SHOWER BASE ON MORTAR BED AND CAREFULLY LEVEL TO AVOID PROBLEMS OF UNEVEN SUB FLOOR.


**Note:**

1. This style floor was designed to be set 1/4" deep from the top of the finished floor.
2. It is recommend that a floor drain at or near the entrance be included.