

## MODEL HSC-630 65" x 33" COMPLETE SHOWER CABINET - WHEELCHAIR ACCESSIBLE

This model is designed with accessibility and functionality in mind. Threshold includes a 6" stainless steel entry cap and provides ½" entry on integral ramp when installed per specification guidelines. We recommend installing a floor drain at the unit entrance.

### FEATURES

- Specify R or L hand drilling
- Durable, white powder-coated metal panels
- Includes the SC-140-SS pressure-balanced mixing valve, which includes integrated service stops for maintenance ease
- Hand-held shower head with a swivel connection
- 69" flexible chrome-plated brass hose, and an in-line vacuum breaker
- Stainless steel curtain rod and GSA-approved privacy curtain are provided
- Retractable shower seat with a robust stainless steel frame
- Two stainless steel grab bars for reliable support



(Shown above) Model HSC-630



## ORDERING OPTIONS

---

Part Number

**HSC-XXX-**

**Package Options:**

- HSC-630:** Complete Shower Package w/Ramp
- HSC-630-B:** Shower Base only
- HSC-630-HDP:** Complete Shower Package w/Ramp, HDP Walls
- HSC-630-SS-NV:** Complete Shower Package w/Ramp, Stainless walls, No Valve
- HSC-430-WLS:** Wall Package, White Powder Coat
- HSC-430-WLS-HDP:** Wall Package, High Density Polymer (White)
- HSC-430-WLS-SPC:** Wall Package, Solid Phenolic Core
- HSC-430-WLS-SS:** Wall Package, Stainless Steel

**Optional Components:**

- SC-6:** Filler strip - Front
- SC-7:** Filler strip - Back
- HSC-TC-143:** Top cover only
- HSC-TCLF-400:** Top cover with Light
- SC-140-TCVH:** Thermostatic valve

**FINISHES KEY FOR WALL PACKAGES (-WLS):**

**Powder Coat on Galvanized Steel** (standard)

**SS:** Stainless steel

**SPC:** Solid phenolic core \*

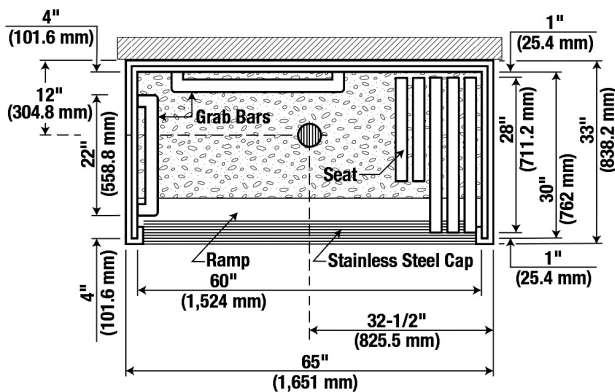
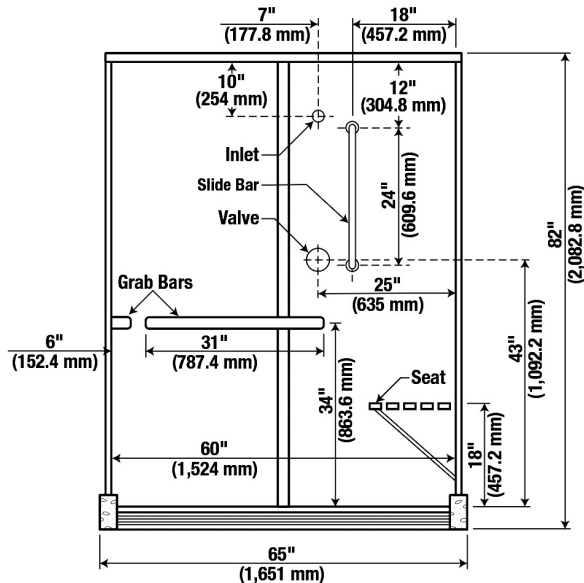
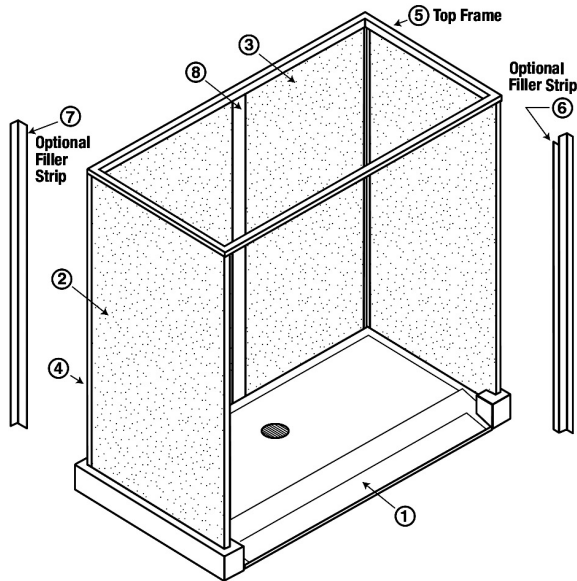
**HDP:** High density polymer\*

## DIMENSIONS

---

All dimensions subject to manufacturing variance of plus or minus 1/4" (6 mm)

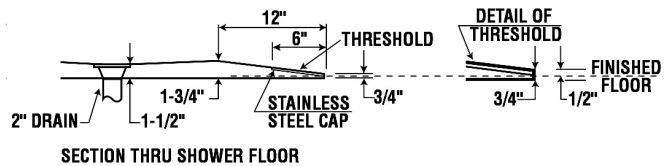
**HSC-630** 65x33x82" Transfer Style

**HSC-630**

**STANDARD EQUIPMENT FOR FIELD INSTALLATION**

KEY NO.	QTY.	DESCRIPTION
1	1	65" X 33" BASE
2	2	30" X 77-3/16" PANEL
3	1	60" X 77-3/16" BACK PANEL
4	2	CORNER JOINT
5	1	TOP FRAME
—	1	ROD AND CURTAIN
—	1	PRESSURE BALANCED VALVE WITH STOPS
—	1	HAND HELD SHOWER HEAD WITH SWIVEL CONNECTOR, SUPPLY ELL, VACUUM BREAKER AND 69" C.P. FLEXIBLE BRASS HOSE
—	1	24" C.P. BRASS SLIDE BAR WITH ADJUSTABLE SHOWER HEAD MOUNTING BRACKET AND MOUNTING SCREWS.
—	2	HORIZONTAL STAINLESS STEEL GRAB BAR
8	1	CHANNEL BRACKET
—	1	RETRACTABLE HANDICAPPED SHOWER SEAT WITH STAINLESS STEEL FRAME

**FOR CORRECT INSTALLATION:**

1. ESTABLISH PROPER CLEARANCE BETWEEN SHOWER BASE AND WALLS.
2. SET SHOWER BASE ON MORTAR BED AND CAREFULLY LEVEL TO AVOID PROBLEMS OF UNEVEN SUB FLOOR.


**Note:**

1. This style floor was designed to be set 1/4" deep from the top of the finished floor.
2. It is recommend that a floor drain at or near the entrance be included.
3. Collapsible water dam available (-RDM)